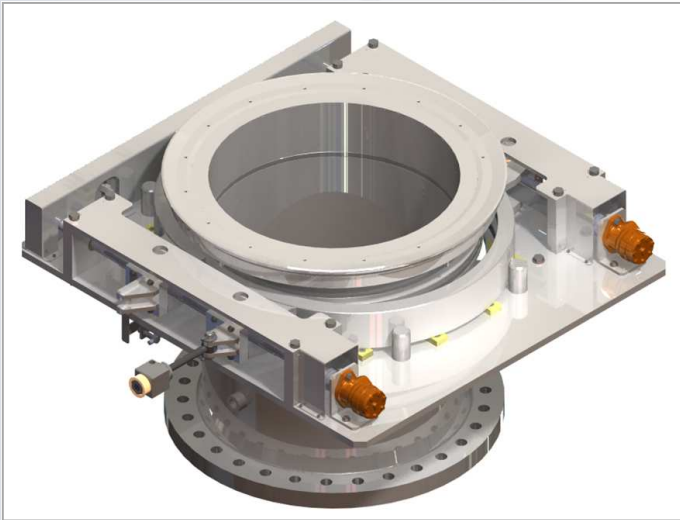
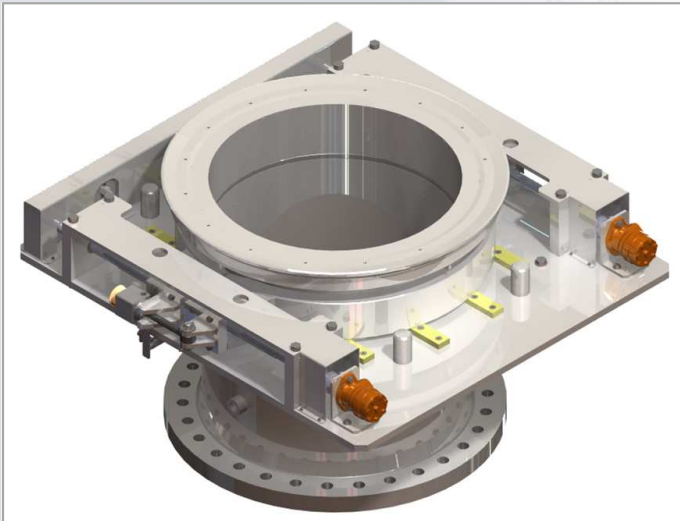


# “CMC-HC-700-300” & “CMC-HC-800-300” Hydraulic Clamps



“OPENED” CONFIGURATION



“CLOSED” CONFIGURATION

## PRESENTATION

Certification	DNV
Operating pressure	30 bar
Internal diameter of spool	Ø 700 or Ø 800 mm
Outer operating temperature	-10 °C to +50 °C

## LAYOUT

Positioning	Vertical or horizontal
Location	On Transfer compartment

## FIXING ON SPOOL

Type	Welded supports
Number of supports	4

## NOZZLES ON CYLINDRICAL SHELL

Number	3
--------	---

## USE

1" NPT	Exhaust
1/2" NPT	Pressurisation
1/4" NPT	Pressure tap

## CLAMP OPERATION

Normal	Hydraulic
Emergency	Manual action
Safety	Interlock and 2 inductive sensors

## TRANSPORTATION

Weight of hydraulic clamp without spool	666 kg
Means of lifting	Slings

### CMC Industries

ZI la Grande Marine - BP 90033  
84 801 L'Isle Sur La Sorgue cedex  
FRANCE

Tel. + 33 (0) 490 382 722  
Fax. + 33 (0) 490 383 819  
www.cmc-industries.com

Contact: Eric Guillermet  
Mobile phone: + 33 (0) 680 062 202  
Contact: Jean-Pierre Déchaut  
Mobile phone: + 33 (0) 665 403 151

