

“CMC-LDB-60-2” LARS & Diving Basket



LAUNCH AND RECOVERY SYSTEM

A-FRAME

Safe Working Load 1.5 t

HYDRAULIC JACKS

Quantity 2
Capacity 175 bar - stroke = 480 mm

LIFTING WINCH

Safe Working Load 1.5 t - 175 bar
Max. speed 20 m/min
Wire Ø 13 mm

GUIDE LINE WINCH

Safe Working Load 1.5 t - 175 bar
Max. speed 20 m/min
Wire Ø 13 mm

HYDRAULIC CABINET

Power supply 400 V - 3 - 50/60 Hz, 2 x 22 kW
Control / Monitoring panel Proportional distributors

REQUIRED SERVICES

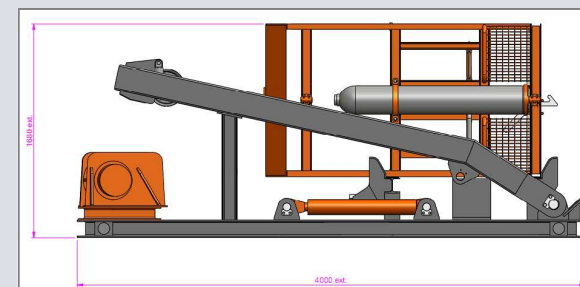
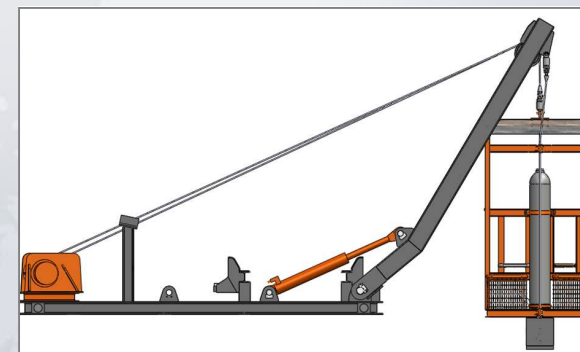
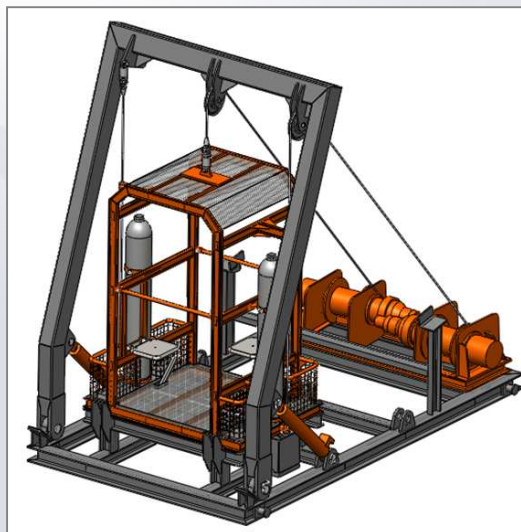
Main power supply 400 V - 3 - 50/60 Hz, 22 kW
220 V - 50/60 Hz
Emergency power supply 400 V - 3 - 50/60 Hz, 22 kW
220 V - 50/60 Hz

MOBILISATION / DEMOBILISATION

Commissioning Anchoring on deck

TRANSPORTATION

Overall dimensions (L x l x h) 4000 x 2400 x 1680 mm
Weight 3300 kg
Means of lifting 4 lifting lugs



PRESENTATION

Certification - Standard	DNV - IMCA D 023
Operating depth	60 msw
Outer operating temperature	-10 °C to +50 °C
Max. number of divers	2
Safe Working Load	1.5 t
Speed of wires uncoiling	20 m/min

DIVING BASKET

BASKET
Number of seats 2

NETWORK BREATHING
Emergency gas cylinders Nitrox and oxygen
Integration Pressure gauges, SCUBA mouthpiece, etc.

BALLAST
Weight 400 kg

CMC Industries

ZI la Grande Marine - BP 90033
84 801 L'Isle Sur La Sorgue cedex
FRANCE

Tel. + 33 (0) 490 382 722
Fax. + 33 (0) 490 383 819
www.cmc-industries.com

Contact: Eric Guillermet
Mobile phone: + 33 (0) 680 062 202
Contact: Jean-Pierre Déchaut
Mobile phone: + 33 (0) 665 403 151

